

Photoelectric Sensor BLE 65K-5-F50T-2P-S 4 Sn=50000mm through-beam

Common Data

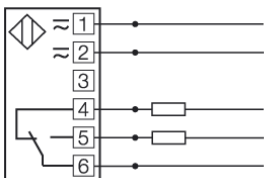
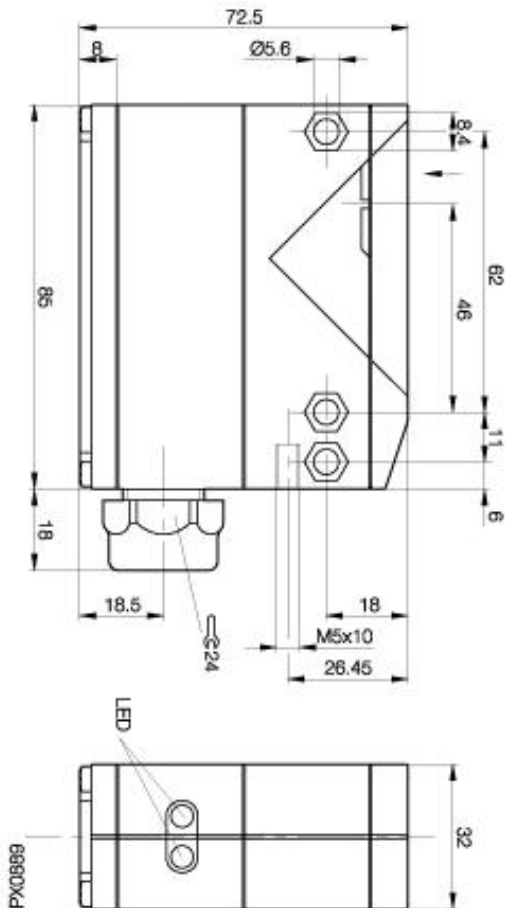
Series	65K
Sensortype	through-beam
Switching frequency	500 Hz
Rated operating distance Sn in mm	50000
asured operating distance Sa	adjustable
Repeat accuracy	< 5% from Sn
Hysteresis	< 10%
Indication Switching element on	yes, red LED
Indication Special funktion	LED green Stability indicator
Ambient temperature	-20...+55°C
On-delay	< 2ms
Off-delay	< 5ms
Light	Infrared
Sensitivity Adjustment	Poti
Permissable ambient light	3000 Lux

Mechanical Data

Measurements	85x72,5x32
Shock	Halfsinus, 30gn, 11ms
Vibration	10...55Hz, 1,5mm Amplitude 3x2h
Housing material	Polycarbonat
Material of sensing face	PMMA
Degree of protection	IP67
Connection	Connector S4 (M12)
Weigth	180g
Recommended connector	BKS-S 19BKS-S 20

Electrical Data

Current	DC
Switching function	NO/NC
Output	PNP/NPN
Rated operational voltage Ue	24V DC
Rated operational current Ie	200mA
Supply Voltage	10...30V DC
No-load supply current	<40mA
Voltage drop	<1,5V
Short protection	no
Rated insulation voltage	250VDC
Output resistance	33kOhm
max. Load capacity	1µF



Utilization categories
Insulation class

DC 13

Datasheet number:

Definitions see general catalog.
If not otherwise noted, ratings according to
IEC 60947-5-2 (DIN EN60947-5-2)

Balluff GmbH
Schurwaldstrasse 9
73765 Neuhausen a.d.F.
Phone (07158) 173-0 Fax (07158) 5010

Datenblatt by CD-ROM - 04/2007

BALLUFF
sensors worldwide